

Quiet operation

Unique controls

Compact and manoeuvrable

Robust and reliable



## AM 22

### Hand pallet truck (2,200 kg)

The AM 22 hand pallet truck is the ideal solution for all manual transportation over short distances. Advantages:

- Easy to operate controls – equally comfortable for left and right-handed operators. Comfortable and safe manoeuvring with one hand on the tiller arm is easy.
- Optional fast lift (up to 120 kg) for lifting pallets clear of the floor with only three pump strokes.

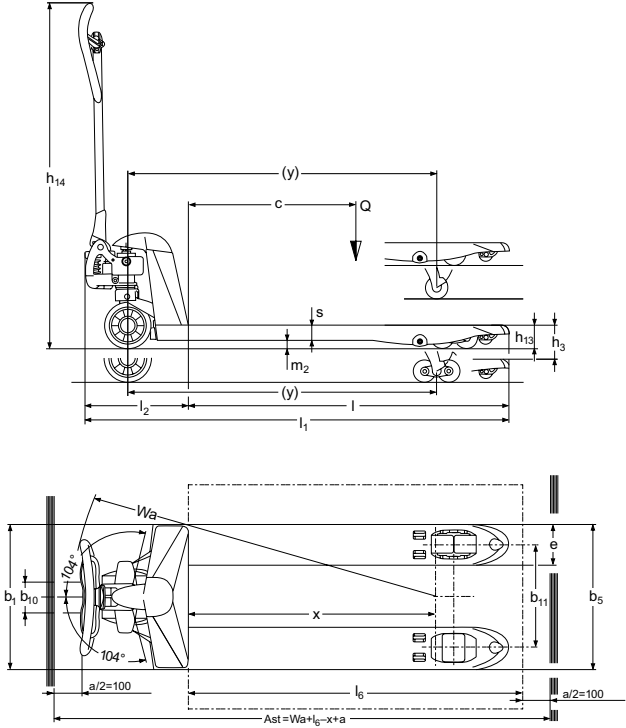
- Short front-end length – offering maximum manoeuvrability in restricted conditions.

Chromed wheel and joint bushings allow easy pulling or pushing. Extremely quiet, maintenance-free operation impresses across the board.

Optimum use on a wide range of surfaces thanks to different roller coatings.

**JUNGHEINRICH**

# AM 22



# Technical data in line with VDI 2198

|                  |   |  |                                   |                              |                              |                                |                                |                                |
|------------------|---|--|-----------------------------------|------------------------------|------------------------------|--------------------------------|--------------------------------|--------------------------------|
| Identification   | 1.1   | Manufacturer (abbreviation)                                  |                                   | Jungheinrich                 |                              |                                |                                |                                |
|                  | 1.2   | Model  |                                   | AM 22                        |                              |                                |                                |                                |
|                  | 1.3   | Drive  |                                   | manual                       |                              |                                |                                |                                |
|                  | 1.4   | Manual, pedestrian, stand-on, seated, order picker operation |                                   | hand                         |                              |                                |                                |                                |
|                  | 1.5   | Load capacity/rated load                                     | Q t                               | 2.2                          |                              |                                |                                |                                |
|                  | 1.6   | Load centre distance   | c mm                              | 400                          | 500                          | 534                            | 600                            | 610                            |
|                  | 1.8   | Load distance  | x mm                              | 535                          | 690                          | 794                            | 890                            | 947                            |
|                  | 1.9   | Wheelbase  | y mm                              | 755                          | 910                          | 1,014                          | 1,110                          | 1,167                          |
|                  | Weights                                       | 2.1  | Net weight                        | kg                           | 51 <sup>1)</sup>             | 54 <sup>1)</sup>               | 56 <sup>1)</sup>               | 58 <sup>1)</sup>               |
| 2.3              |   | Axle loading, unladen front/rear                             | kg                                |                              |                              |                                | 38 / 20 <sup>4)</sup>          |                                |
| Wheels / frame   | 3.1   | Tyres  |                                   | C,V,N                        |                              |                                |                                |                                |
|                  | 3.2   | Tyre size, front   | mm                                | Ø 170x50                     |                              |                                |                                |                                |
|                  | 3.3   | Tyre size, rear  | mm                                | Ø 82x96 <sup>5)</sup>        |                              |                                |                                |                                |
|                  | 3.5   | Wheels, number front/rear (x = driven wheels)                |                                   | 2/2 or 2/4                   |                              |                                |                                |                                |
|                  | 3.6   | Tread width, front   | b <sub>10</sub> mm                | 109                          |                              |                                |                                |                                |
|                  | 3.7   | Tread width, rear  | b <sub>11</sub> mm                | 370                          |                              |                                |                                |                                |
|                  | Basic dimensions                              | 4.4  | Lift                              | h <sub>3</sub> mm            | 122                          |                                |                                |                                |
| 4.9              |   | Height of tiller in drive position min. / max.               | h <sub>14</sub> mm                | 1,234                        |                              |                                |                                |                                |
| 4.14             |   | Standing height raised                                       | h <sub>12</sub> mm                | 205                          |                              |                                |                                |                                |
| 4.15             |   | Height, lowered  | h <sub>13</sub> mm                | 83                           |                              |                                |                                |                                |
| 4.19             |   | Overall length   | l <sub>1</sub> mm                 | 1,165                        | 1,320                        | 1,424                          | 1,520                          | 1,577                          |
| 4.20             |   | Length to face of forks                                      | l <sub>2</sub> mm                 | 373                          |                              |                                |                                |                                |
| 4.21             |   | Overall width  | b <sub>1</sub> /b <sub>2</sub> mm | 520 <sup>2)</sup>            |                              |                                |                                |                                |
| 4.22             |   | Fork dimensions  | s/e/l mm                          | 53 / 150 / 795 <sup>3)</sup> | 53 / 150 / 950 <sup>3)</sup> | 53 / 150 / 1,054 <sup>3)</sup> | 53 / 150 / 1,150 <sup>3)</sup> | 53 / 150 / 1,207 <sup>3)</sup> |
| 4.25             |   | Width across forks   | b <sub>5</sub> mm                 | 520 <sup>2)</sup>            |                              |                                |                                |                                |
| 4.32             |   | Ground clearance, centre of wheelbase                        | m <sub>2</sub> mm                 | 30                           |                              |                                |                                |                                |
| 4.33             |   | Aisle width for pallets 1000 × 1200 crossways                | Ast mm                            | 1,584                        | 1,584                        | 1,638                          | 1,734                          | 1,791                          |
| 4.34             | Aisle width for pallets 800 × 1200 lengthways | Ast mm   | 1,784                             | 1,784                        | 1,784                        | 1,784                          | 1,791                          |                                |
| 4.35             | Turning radius                                | W <sub>a</sub> mm  | 919                               | 1,074                        | 1,178                        | 1,274                          | 1,331                          |                                |
| Performance data | 5.3   | Lowering speed, laden/unladen                                | m/s                               | 0.09 / 0.02                  |                              |                                |                                |                                |

<sup>1)</sup> + 5 kg at 680 mm width across forks

<sup>2)</sup> 680 mm also possible

<sup>3)</sup> Other fork lengths available

<sup>4)</sup> Width 520 mm

<sup>5)</sup> Ø 82x62 mm tandem tyres

# Benefit from the advantages



Ergonomic operating handle



Maintenance-free hydraulics



Permanently lubricated joints for maintenance-free operation



Contoured fork tips for easy pallet entry

## Easy to operate

Smooth controls equally suitable for both left-handed and right-handed users. Particularly sensitive and controlled lowering of loads with the special lowering valve. The optional fast lift (up to 120 kg) ensures that Euro pallets can be lifted clear of the floor with just 3 pump strokes. The maximum lift height is achieved with only 5 pump strokes.

## Shorter and more manoeuvrable

The front-end length of just 373 mm allows for reliable and easy operation, even in very confined spaces.

## Effortless and simple

The optimised hydraulic system reduces the pump force required. The drawbar pull required is reduced by the bushes on the wheels.

## Quiet and robust

The chromed bushes on the wheels and joints ensure quiet running and an exceptionally long service life. Excellent smooth running even without lubrication of the connections.

## Clear and safe

Embossed markings on the truck show the exact, secure pallet position required for crossways lifting.

## Durable

Strong forks. Contoured shapes. Welded tiller mounting. Protected entry rollers. Hard steel. Guarantee for maximum stability and durability. 2200 kg capacity with the basic version.

## Additional / special equipment

Extensive additional equipment means the AM 22 is optimally equipped for any application. This includes for example, numerous fork lengths, wide range of width over forks, different braking systems or special paint. Also available is special equipment such as stainless steel or galvanised truck models.

## Jungheinrich South Africa (Pty) Ltd

55 Lake Road  
Long Meadow Business Estate North  
Edenvale 1609  
PO Box 1624  
Rivonia 2128  
info@jungheinrich.co.za  
www.jungheinrich.co.za  
Tel: (+27) 010 596 84 60

The German production facilities in Norderstedt, Moosburg and Landsberg are certified.

ISO 9001  
ISO 14001

Jungheinrich fork lift trucks meet European safety requirements.



**JUNGHEINRICH**