

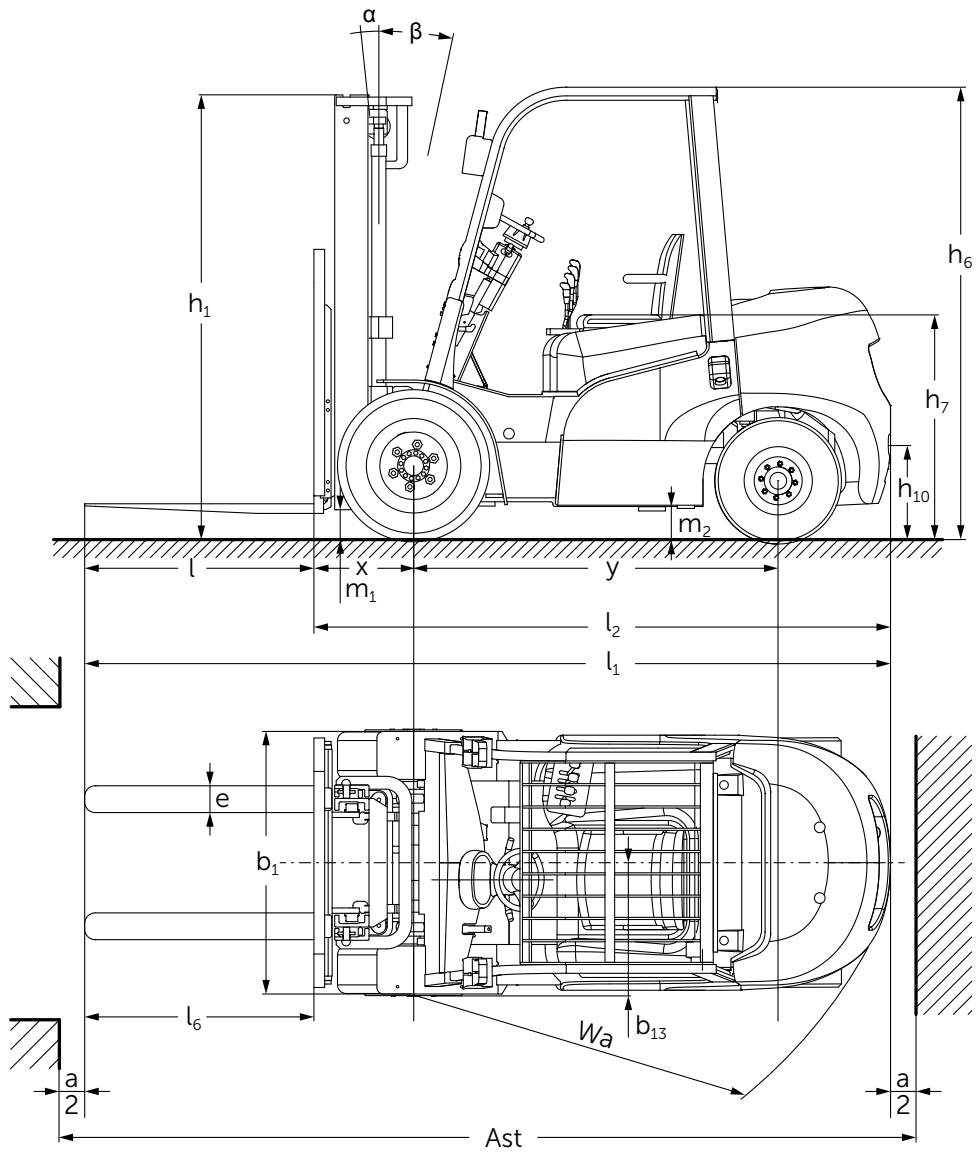
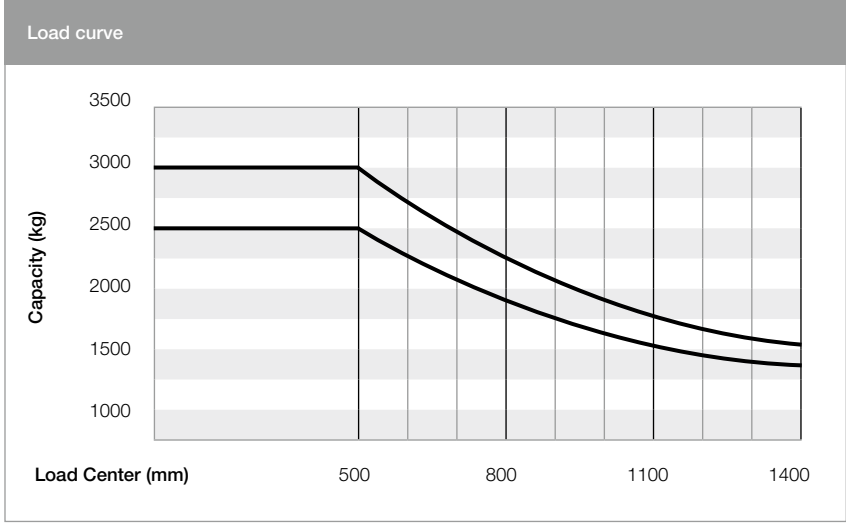
Technical data



CPCD 25/30

Diesel forklift with torque converter (2,500/3,000 kg)

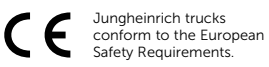
Designed for versatile use, our Ameise counterbalance trucks with torque converter provide you with solid performance and productivity in all outdoor transport and stacking operations. The rugged Kubota engines – tried and tested throughout the world – ensure high torque at low revs and have been specifically designed for use in forklift trucks. This guarantees a high level of reliability. The operator workplace is functional and designed to fit the driver's needs. In combination with the possibility to board the vehicle on both sides, this enables comfortable and focused work throughout the entire shift.



Technical data in line with VDI 2198

Issue: 12/2017

Identification	1.2	Model		CPCD 25	CPCD 30
	1.3	Drive		Diesel	Diesel
	1.4	Manual, pedestrian, stand-on, seated, order picker operation		seat	seat
	1.5	Load capacity/rated load	Q t	2.5	3
	1.6	Load centre distance	c mm	500	500
	1.8	Load distance	x mm	475	480
	1.9	Wheelbase	y mm	1,600	1,700
Weights	2.1	Service weight	kg	3,800	4,400
	2.2	Axle load, w. load, front/rear	kg	5,607/693	6,500/900
	2.3	Axle load, w.o. load, front/rear	kg	1,520/2,280	1,760/2,640
Wheels/frame	3.1	Tyres		Solid (SE)	Solid (SE)
	3.2	Tyre size, front	mm	7.00-12-12PR	28x9-15-12PR
	3.3	Tyre size, rear	mm	6.00-9-10PR	6.50-10-10PR
	3.5	Wheels, number front/rear (x = driven wheels)		2x/2	2x/2
	3.6	Tread width, front	b10 mm	970	1,000
	3.7	Tread width, rear	b11 mm	970	970
	Basic dimensions	4.1	Tilt of mast/fork carriage forward/backward	α/β °	6/12
4.2		Mast height (lowered)	h1 mm	2,000/2,550/2,160	2,070/2,620/2,180
4.3		Free lift	h2 mm	140/140/1,150	145/145/990
4.4		Lift	h3 mm	3,000/4,000/4,700	3,000/4,000/4,350
4.5		Extended mast height	h4 mm	4,034/5,034/5,734	4,217/5,217/5,565
4.7		Height of overhead guard	h6 mm	2,140	2,170
4.8		Seat height/stand height	h7 mm	1,085	1,105
4.12		Coupling height	h10 mm	245	250
4.19		Overall length	l1 mm	3,650	3,770
4.20		Length to face of forks	l2 mm	2,580	2,700
4.21		Overall width	b1/b2 mm	1,150	1,225
4.22		Fork dimensions	s/e/l mm	40/122/1,070	45/125/1,070
4.23		Fork carriage ISO 2328, class/type A, B		2A	3A
4.24		Fork carriage width	b3 mm	1,038	1,100
4.31		Floor clearance with load under mast	m1 mm	110	135
4.32		Floor clearance centre wheelbase	m2 mm	110	120
4.33		Aisle width for pallets 1000 x 1200 sideways	Ast mm	3,985	4,150
4.34		Aisle width for pallets 800 x 1200 lengthways	Ast mm	4,115	4,280
4.35	Turning radius	Wa mm	2,240	2,400	
4.36	Smallest pivot point distance	b13 mm	735	813	
Performance data	5.1	Travel speed, w./w.o. load	km/h	17/18	16/17
	5.2	Lift speed, w./w.o. load	m/s	0.50/0.58	0.43/0.46
	5.3	Lowering speed, w./w.o. load	m/s	0.45/0.45	0.45/0.45
	5.5	Drawbar pull w./w.o. load	N	17,000/8,880	16,000/9,800
	5.7	Gradeability laden/unladen	%	16/23	18/17
	5.9.2	Acceleration laden/unladen to 15 m	S	5.4/4.7	5.8/5.0
	5.10	Service brake		Hydraulic	Hydraulic
5.11	Parking brake		Mechanic	Mechanic	
Combustion engine	7.1	Engine manufacturer/type		Kubota V2403	Kubota V2403
	7.2	Engine output according to ISO 1585	kW	34.1	34.1
	7.3	Rated revolutions per minute	/min	2,400	2,400
	7.4	No. of cylinders		4	4
	7.4.1	Cubic capacity	cm ³	2,434	2,434
	7.5	Fuel consumption acc. to VDI cycle	l/h	4.2	
	Misc.	8.1	Type of drive control		hydrodynamic
8.2		Working pressure for attachments	bar	160	160
8.3		Oil flow for attachments	l/min	max. 50	max. 50
8.4		Sound pressure level at operator's ear as per EN 12053	dB (A)	83.3	83.3
8.6		Steering		Hydraulic	Hydraulic



Jungheinrich trucks
conform to the European
Safety Requirements.

Jungheinrich South Africa (Pty)Ltd

55 Lake road,
Longmeadow Business Estate North,
Edenvale

Tel: +27 (0) 10 596 8460

info@jungheinrich.co.za

www.jungheinrich.co.za