

Powerful, maintenance-free
3-phase AC drive motor

Manoeuvrable and compact

Maintenance-free gel battery
and built-in charger

4 mast versions available
(2300 to 3300 mm)



EJC M10 ZT/M13 ZT

Electric stacker trucks (1,000/1,300 kg)

The EJC M10 ZT/M13 ZT was specially developed for the internal transfer of lightweight goods. The 0.6 kW drive motor is ideal for the transport of pallets and goods weighing up to 1300 kg over short distances.

The duplex mast, which is available in 4 different heights from 2300 to 3300 mm, makes the EJC M10 ZT/M13 ZT ideal for occasional picking as well as the stacking of pallets. Advantageous for this is the low frame height which ensures that even shorter operators have optimum visibility of the fork tips.

Thanks to the maintenance-free, powerful 3-phase AC motor,

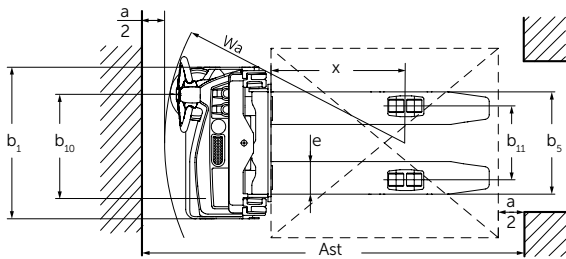
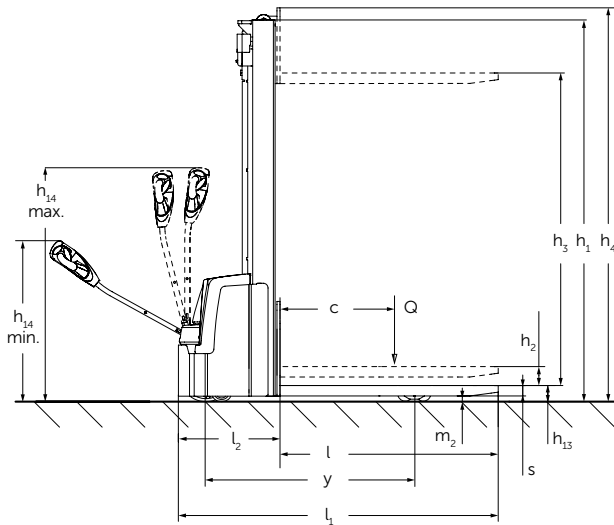
energy consumption is reduced. This offers the best conditions for fast and cost-effective goods throughput.

The compact design of the EJC M10 ZT and its low front end length (l2) of just 535 mm also guarantee maximum manoeuvrability for use in confined spaces. A gel battery used in conjunction with a built-in charger allows for flexible operation, without having to fill up the battery with water.

The EJC M13 ZT draws its energy from the 160-Ah lead acid battery. A built-in charger allows easy charging of the battery at any standard socket.

**JUNGHEINRICH**

EJC M10 ZT/M13 ZT



EJC M10 / EJC M13 standard mast					Service weight incl. battery kg	
Duplex ZT	Lift h_3 mm	Lowered height h_1 mm	Free lift h_2 mm	Extended height h_4 mm	EJC M10	EJC M13
	2300	1615	100	2730	551	695
	2500	1715	100	2930	560	704
	2900	1915	100	3330	578	722
	3300	2115	100	3730	596	740

Technical data in line with VDI 2198

		Jungheinrich					
			EJC M10 ZT	EJC M10 ZT	EJC M13 ZT	EJC M13 ZT	
Identification	1.1	Manufacturer (abbreviation)					
	1.2	Model					
	1.3	Drive	Electric				
	1.4	Manual, pedestrian, stand-on, seated, order picker operation	pedestrian				
	1.5	Load capacity/rated load	Q t	1	1	1.3	1.3
	1.6	Load centre distance	c mm	600			
	1.8	Load distance	x mm	710			
	1.9	Wheelbase	y mm	1,098	1,098	1,296	1,296
	Weights	2.1.1	Net weight incl. battery (see row 6.5)	kg	551	596	695
2.2		Axle loading, laden front/rear	kg	468 / 1,083	498 / 1,098	560 / 1,435	590 / 1,450
2.3		Axle loading, unladen front/rear	kg	405 / 146	435 / 161	465 / 230	495 / 245
Wheels / frame	3.1	Tyres	TPU/PU				
	3.2	Tyre size, front	mm	Ø230x65			
	3.3	Tyre size, rear	mm	Ø80x70			
	3.4	Additional wheels (dimensions)	mm	Ø100x50			
	3.5	Wheels, number front/rear (x = driven wheels)		1x+1/4			
	3.6	Tread width, front	b ₁₀ mm	550			
	3.7	Tread width, rear	b ₁₁ mm	390			
Basic dimensions	4.2	Mast height (lowered)	h ₁ mm	1,615	2,115	1,615	2,115
	4.3	Free lift	h ₂ mm	100			
	4.4	Lift	h ₃ mm	2,300	3,300	2,300	3,300
	4.5	Extended mast height	h ₄ mm	2,730	3,730	2,730	3,730
	4.9	Height of tiller in drive position min. / max.	h ₁₄ mm	740 / 1,190			
	4.15	Height, lowered	h ₁₃ mm	85			
	4.19	Overall length	l ₁ mm	1,685	1,685	1,880	1,880
	4.20	Length to face of forks	l ₂ mm	535	535	728	728
	4.21	Overall width	b ₁ /b ₂ mm	800			
	4.22	Fork dimensions	s/e/l mm	55 / 172 / 1,150			
	4.25	Width across forks	b ₅ mm	540			
	4.32	Ground clearance, centre of wheelbase	m ₂ mm	30			
	4.33	Aisle width for pallets 1000 × 1200 crossways	Ast mm	2,136	2,136	2,330	2,330
4.34	Aisle width for pallets 800 × 1200 lengthways	Ast mm	2,103	2,103	2,297	2,297	
4.35	Turning radius	W _s mm	1,270	1,270	1,464	1,464	
Performance data	5.1	Travel speed, laden/unladen	km/h	4.5 / 5			
	5.2	Lift speed, laden/unladen	m/s	0.12 / 0.22			
	5.3	Lowering speed, laden/unladen	m/s	0.15 / 0.12			
	5.8	Max. gradeability, laden/unladen	%	4 / 10			
	5.10	Service brake		electric			
Electrics	6.1	Drive motor, output S2 60 min.	kW	0.6			
	6.2	Lift motor kW rating at S3 7.5%	kW	2.2			
	6.3	Battery as per DIN 43531/35/36 A, B, C, no		no			
	6.4	Battery voltage/nominal capacity	V/Ah	24 / 105 ¹⁾	24 / 105 ¹⁾	24 / 160	24 / 160
	6.5	Battery weight	kg	52	52	151	151
	6.6	Energy consumption according to VDI cycle	kWh/h	0.73	0.73	0.91	0.91
Misc.	8.1	Type of drive control		AC speedCONTROL			
	8.4	Sound pressure level at operator's ear as per EN 12053	dB (A)	66			

¹⁾ Battery voltage/nominal capacity specified for K20. For K5: 24 V, 88 Ah

Benefit from the advantages



Centralized control instruments



High level of safety thanks to low ground clearance



Ergonomic tiller arm



Optimised visibility through the mast

Innovative drive and control technology

Motors with 3-phase AC technology offer many advantages and more efficiency while simultaneously reducing the operating costs thanks to the perfect match with Jungheinrich's controllers:

- High efficiency levels with excellent energy management.
- Rapid direction change.
- Maintenance-free drive motor.

Energy-efficient operation

Battery and components are protected and the efficiency is increased through the economic energy management:

- Automatic switch-off by intelligent automatic shut-off after 30 minutes without use.
- Energy recovery due to regenerative braking when decelerating.

Ideal view

- Optimum view of the fork tips at any height due to low frame height and optimised visibility through the mast.
- Central arrangement of all important control instrumentation such as the battery discharge indicator, the hour meter, emergency disconnect and key.
- Sufficient storage space.
- Clip pad (EJC M13 ZT).

Work ergonomically

Optimal adaptation of the truck to the ergonomic needs of the operator:

- Reduced force required while steering due to low-mounted tiller.
- Dual-sided operation of tiller handle for ergonomic and safe use.

Safe operation

A number of safety provisions reduce the operator's risk of injury. Consequently, maximum safety is guaranteed:

- The low ground clearance of just 30 mm significantly reduces the risk of foot injuries.
- Additional protection due to completely closed frame and optimised visibility on the mast.
- Safe working even in confined spaces thanks to the upright tiller and depressed crawl speed button.

Batteries and charging technology

- EJC M10 ZT: Maintenance-free gel battery 24 V/105 Ah.
- EJC M13 ZT: Integrated 160-Ah battery ensures a long service life.
- Built-in charger for easy charging at any 230-V mains socket.

Additional equipment

The EJC M10/M13 ZT with duplex mast is available in the lift heights 2300 mm, 2500 mm, 2900 mm and 3300 mm.

Jungheinrich South Africa (Pty) Ltd

55 Lake Road
Long Meadow Business Estate North
Edenvale 1609
PO Box 1624
Rivonia 2128
info@jungheinrich.co.za
www.jungheinrich.co.za
Tel: (+27) 010 596 84 60

The German production facilities in Norderstedt, Moosburg and Landsberg are certified.

ISO 9001
ISO 14001

Jungheinrich fork lift trucks meet European safety requirements.



JUNGHEINRICH